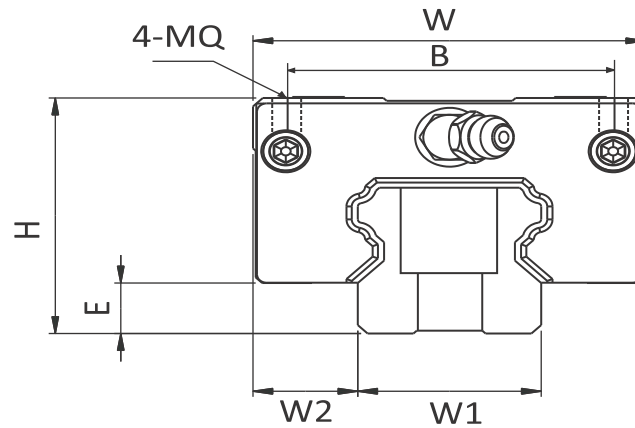


BRC-R0/LR , BRD-R0/LR



BR-R0

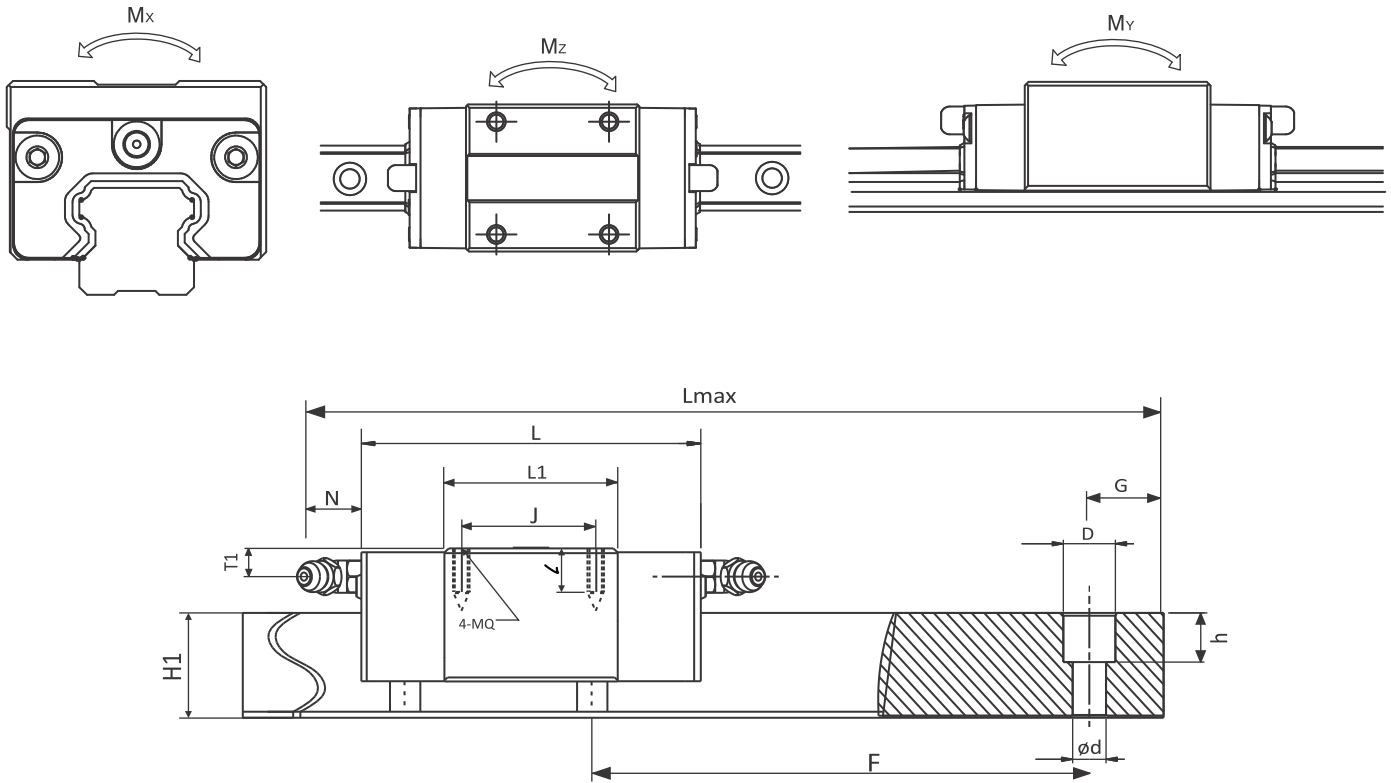
BR-LR



| کد کاس | Assembly (mm) | | | | BR block (mm) | | | | | | | | BR rail (mm) | | | | قیمت | |
|----------|---------------|----|------|-----|---------------|-------|----------|-------|----------|------|------|----|--------------|-----|-------------|------|-------|--|
| | H | W | W2 | E | L | BxJ | MQxL | L1 | Oil hole | T1 | (N) | W1 | H1 | F | dxDxh | دلار | تومان | |
| BRC 15R0 | 28 | 34 | 9.5 | 4.6 | 66 | 26x26 | M4x6 | 40 | ∅ 3 | 8.3 | 5 | 15 | 14 | 60 | 4.5x7.5x5.8 | | | |
| BRD 15R0 | 28 | 34 | 9.5 | 4.6 | 56 | 26x26 | M4x6 | 40 | M6x1 | 8.3 | 5 | 15 | 14 | 60 | 4.5x7.5x5.8 | | | |
| BRC 20R0 | 30 | 44 | 12 | 5 | 77.8 | 32x36 | M5x8 | 48.8 | M6x1 | 7 | 15.6 | 20 | 18 | 60 | 6x9.5x9.0 | | | |
| BRD 20R0 | 30 | 44 | 12 | 5 | 67.8 | 32x36 | M5x8 | 48.8 | M6x1 | 7 | 15.6 | 20 | 18 | 60 | 6x9.5x9.0 | | | |
| BRC 20LR | 30 | 44 | 12 | 5 | 92.4 | 32x50 | M5x8 | 63.4 | M6x1 | 7 | 15.6 | 20 | 18 | 60 | 6x9.5x9.0 | | | |
| BRD 20LR | 30 | 44 | 12 | 5 | 82.4 | 32x50 | M5x8 | 63.4 | M6x1 | 7 | 15.6 | 20 | 18 | 60 | 6x9.5x9.0 | | | |
| BRC 25R0 | 40 | 48 | 12.5 | 7 | 88 | 35x35 | M6x10 | 57 | M6x1 | 11.8 | 15.6 | 23 | 22 | 60 | 7x11x9.5 | | | |
| BRD 25R0 | 40 | 48 | 12.5 | 7 | 78 | 35x35 | M6x10 | 57 | M6x1 | 11.8 | 15.6 | 23 | 22 | 60 | 7x11x9.5 | | | |
| BRC 25LR | 40 | 48 | 12.5 | 7 | 110.1 | 35x50 | M6x10 | 79.1 | M6x1 | 11.8 | 15.6 | 23 | 22 | 60 | 7x11x9.5 | | | |
| BRD 25LR | 40 | 48 | 12.5 | 7 | 100.1 | 35x50 | M6x10 | 79.1 | M6x1 | 11.8 | 15.6 | 23 | 22 | 60 | 7x11x9.5 | | | |
| BRC 30R0 | 45 | 60 | 16 | 9 | 109 | 40x40 | M8x13 | 72 | M6x1 | 10 | 15.6 | 28 | 26 | 80 | 9x14x12.5 | | | |
| BRD 30R0 | 45 | 60 | 16 | 9 | 99 | 40x40 | M8x13 | 72 | M6x1 | 10 | 15.6 | 28 | 26 | 80 | 9x14x12.5 | | | |
| BRC 30LR | 45 | 60 | 16 | 9 | 131.3 | 40x60 | M8x13 | 94.3 | M6x1 | 10 | 15.6 | 28 | 26 | 80 | 9x14x12.5 | | | |
| BRD 30LR | 45 | 60 | 16 | 9 | 121.3 | 40x60 | M8x13 | 94.3 | M6x1 | 10 | 15.6 | 28 | 26 | 80 | 9x14x12.5 | | | |
| BRD 35R0 | 55 | 70 | 18 | 9.5 | 109 | 50x50 | M8x13 | 80 | M6x1 | 15 | 15.6 | 34 | 29 | 80 | 9x14x12.5 | | | |
| BRD 35LR | 55 | 70 | 18 | 9.5 | 134.8 | 50x72 | M8x13 | 105.8 | M6x1 | 15 | 15.6 | 34 | 29 | 80 | 9x14x12.5 | | | |
| BRD 45R0 | 70 | 86 | 20.5 | 14 | 138.2 | 60x60 | M10x16.5 | 105 | M8x1 | 18.5 | 16 | 45 | 38 | 105 | 14x20x17.5 | | | |
| BRD 45LR | 70 | 86 | 20.5 | 14 | 163 | 60x80 | M10x16.5 | 129.8 | M8x1 | 18.5 | 16 | 45 | 38 | 105 | 14x20x17.5 | | | |



BRC-R0/LR , BRD-R0/LR



| كود UIC | Ref.Data (mm) | | Basic Load Rating (kgf) | | Static Moment (kgf*m) | | | Weight | |
|----------|---------------|------|-------------------------|-------|-----------------------|-------|-------|------------|-------------|
| | Lmax | G | C | CO | Mx | My | Mz | Block (kg) | Rail (kg/m) |
| BRC 15R0 | 4000 | 20 | 850 | 1350 | 10.1 | 6.8 | 6.8 | 0.19 | 1.4 |
| BRD 15R0 | 4000 | 20 | 850 | 1350 | 10.1 | 6.8 | 6.8 | 0.19 | 1.4 |
| BRC 20R0 | 4000 | 20 | 1400 | 2400 | 24 | 14.6 | 14.6 | 0.31 | 2.6 |
| BRD 20R0 | 4000 | 20 | 1400 | 2400 | 24 | 14.6 | 14.6 | 0.31 | 2.6 |
| BRC 20LR | 4000 | 20 | 1650 | 3000 | 30 | 23.8 | 23.8 | 0.47 | 2.6 |
| BRD 20LR | 4000 | 20 | 1650 | 3000 | 30 | 23.8 | 23.8 | 0.47 | 2.6 |
| BRC 25R0 | 4000 | 20 | 1950 | 3200 | 36.8 | 22.8 | 22.8 | 0.45 | 3.6 |
| BRD 25R0 | 4000 | 20 | 1950 | 3200 | 36.8 | 22.8 | 22.8 | 0.45 | 3.6 |
| BRC 25LR | 4000 | 20 | 2600 | 4600 | 52.9 | 45.5 | 45.5 | 0.56 | 3.6 |
| BRD 25LR | 4000 | 20 | 2600 | 4600 | 52.9 | 45.5 | 45.5 | 0.56 | 3.6 |
| BRC 30R0 | 4000 | 20 | 2850 | 4800 | 67.2 | 43.2 | 43.2 | 0.91 | 5.2 |
| BRD 30R0 | 4000 | 20 | 2850 | 4800 | 67.2 | 43.2 | 43.2 | 0.91 | 5.2 |
| BRC 30LR | 4000 | 20 | 3600 | 6400 | 89.6 | 75.4 | 75.4 | 1.2 | 5.2 |
| BRD 30LR | 4000 | 20 | 3600 | 6400 | 89.6 | 75.4 | 75.4 | 1.2 | 5.2 |
| BRD 35R0 | 4000 | 20 | 3850 | 6200 | 105.4 | 62 | 62 | 1.5 | 7.2 |
| BRD 35LR | 4000 | 20 | 4800 | 8300 | 141.1 | 109.8 | 109.8 | 1.9 | 7.2 |
| BRD 45R0 | 4000 | 22.5 | 6500 | 10500 | 236.3 | 137.8 | 137.8 | 2.3 | 12.3 |
| BRD 45LR | 4000 | 22.5 | 7700 | 13000 | 292.5 | 210.9 | 210.9 | 2.8 | 12.3 |

